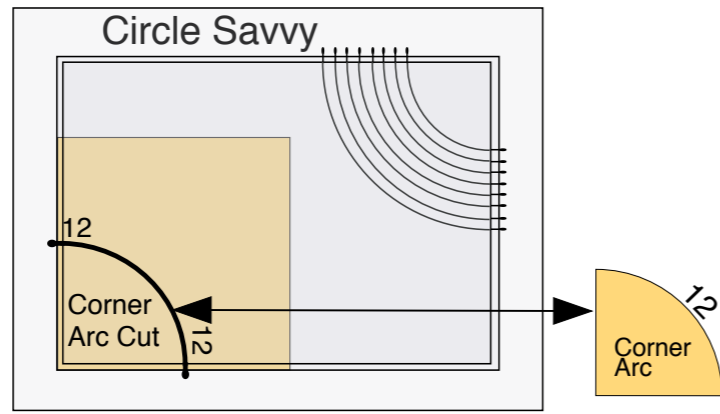
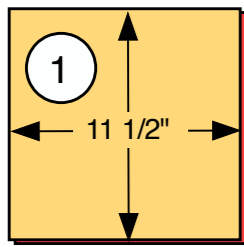


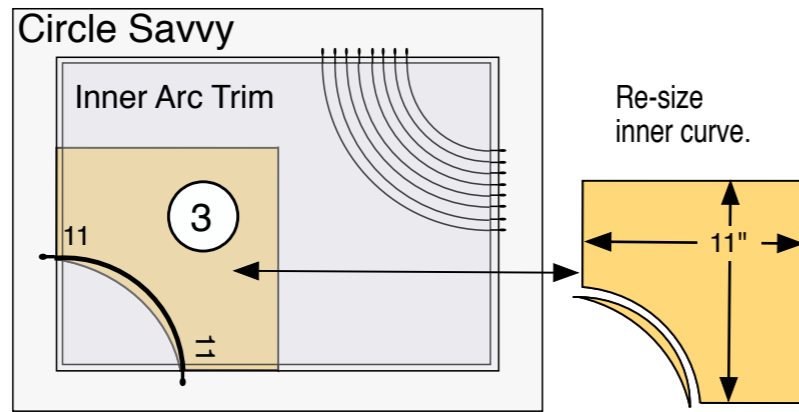
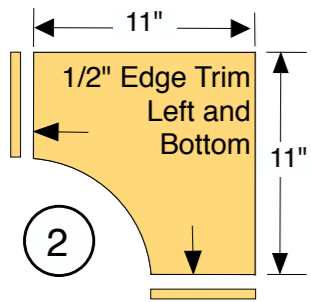
Roundabout Supplement for the Large block

Karla Alexander © 2017

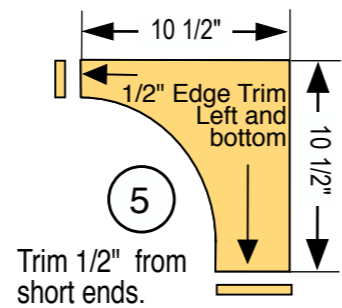
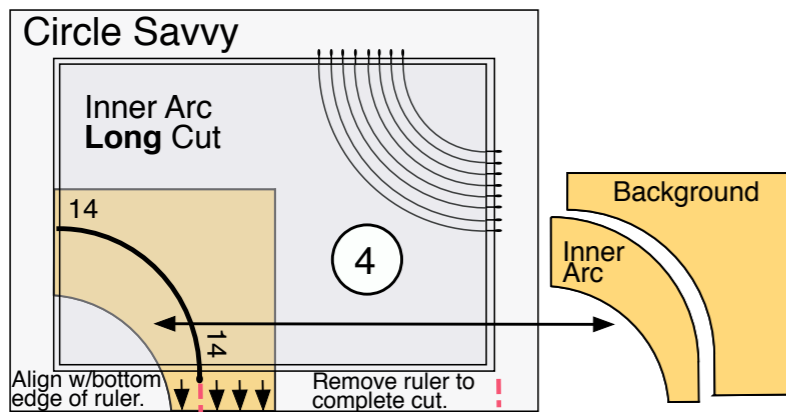
Stack 2 squares,
11 1/2" x 11 1/2"
right sides together.



Trim 1/2" from
short ends.

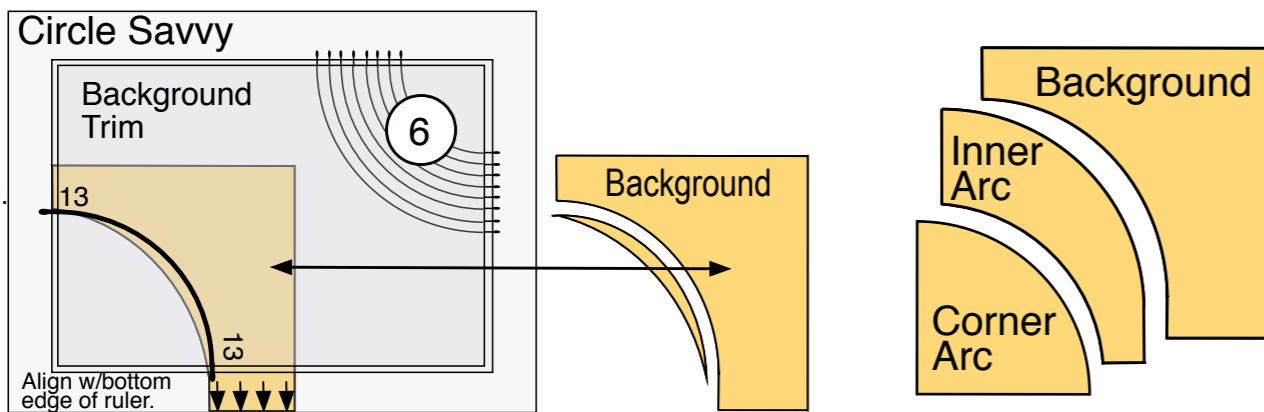


Cut Inner Arc.

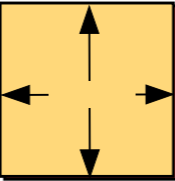
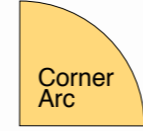
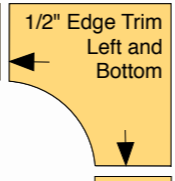
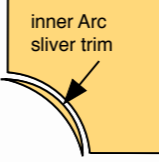
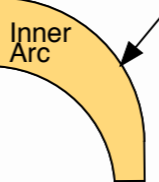
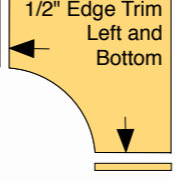



Trim 1/2" from
short ends.

Re-size
inner curve.



**For the Small A and B Block
refer to the illustration to the
left and use the
measurements listed below.**

	Large Block	Small Block A	Small Block B
 Square start size	11.5	9	9
 Corner Arc	12"	7"	6.5"
 Sq Edge Trim .5	11 sq	8.5 sq	8.5 sq
 Inner Arc Sliver Trim	11"	6"	5.5"
 Inner Long Arc	14"	8"	8.5"
 Sq edge trim .5	10.5 sq	8 sq	8 sq
 Background Arc	13"	7"	7.5"